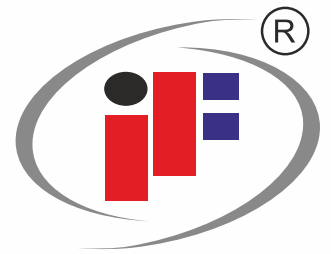


Nonclog Submersible
Sewage Pumps

INDO-FORCE PUMP



**INDO-FORCE
PUMP**

Professional
Industrial
Pumps



ISO 9001:2015 Certified Company

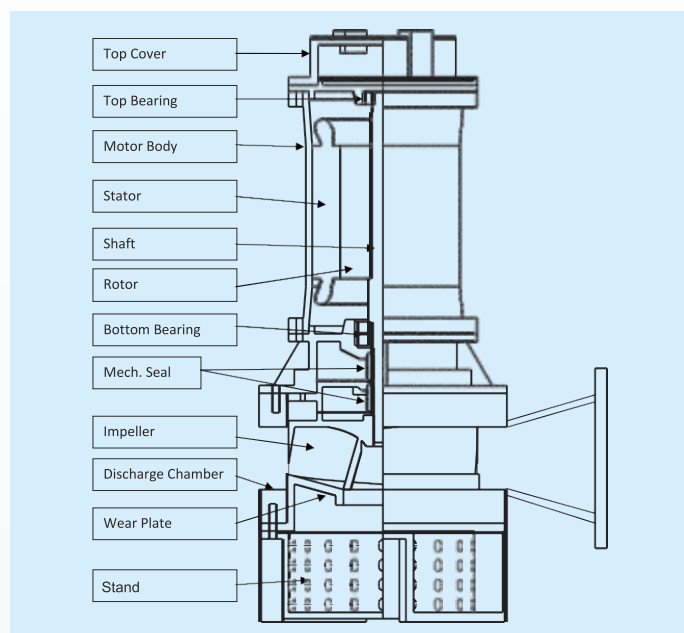


**INDO-FORCE
PUMP**

Nonclog Submersible Sewage Pump

(IFSS Series)

JB Portable sewage pumps are designed to handle drainage and light sewage application with robust construction and low maintenance are reliable design.



Technical Features

Motor:	Two pole continuous duty squirrel cage submersible type induction motor
Insulation Class:	F
Protection:	IP-68/Thermal Over Load
Cable:	PVC Insulated Copper Conductor Flexible

Material of Construction

Motor Body:	S.S 202
Pump Casing:	C.I IS 210FG260/S.S 304/S.S 316
Impeller	C.I IS 210FG260/S.S 304/S.S 316
Shaft:	S.S 404
Strainer:	S.S 202
Mech. Seal:	Double Type: SiC Vs SiC/ TC Vs TC
Bearing:	Deep Groove Ball Bearing (SKF)

PERFORMANCE TABLE

IFSS Series (2900 rpm) 50Hz

MODEL	HP	DEL SIZE	SOLID SIZE	DISCHARGE IN P.M	HEAD IN METERS									SHUT OFF			
					2	4	6	8	10	14	18	20	24				
IFSS 1.0/ V	1	50	18	DISCHARGE IN P.M	400	350	300	240	145							13.5	
IFSS 2.0/Q	2	50	32		800	720	630	540	420	230							16.5
IFSS 3.0	3	50	25					770	680	460	380	210					21.5
IFSS 5.0	5	50	25						805	700	460	350	150				28
IFSS 3.0	3	80	32				4	6	8	10	12	14	16	18			
IFSS 5.0	5	80	36				1300	1100	1000	895	600	370	160				17.3
							1800	1600	1460	1350	1200	950	690	470			20
IFSS 5.0	5	100	40			6	8	12	14	18	20	24	28	32			
IFSS 7.5	7.5	100	42		2300	1750	1200	650								16	
IFSS 10.0	10	100	42		2700	2500	1900	1300	990	400						22	
IFSS 15.0	15	100	50		3000	2800	2050	1400	1200	950	400					27	
IFSS 20.0	20	100	50		3200	3000	2200	1600	1400	1200	900	450				32	
					3800	3250	2980	2700	2600	2200	1750	900				36	

Specifications and performance are subject without to change without prior notice. Performance applicable to liquid of specific gravity one & viscosity as of water.

AVAILABLE ON REQUEST

- Voltage: 220 V / AC / 1 Phase (1.0 & to 2.0HP) 50 Hz.
- 415 V / AC / 3 Phase (1.0 & to 20.0HP) 50 Hz
- Float switch in single phase pumps only
- Agitator and Cutter Model Available on request

APPLICATIONS

- Construction Dewatering • Commercial Waste Water
- Dewatering in heavy industries like powersteel, fertilizer, cement
- Effluent handling in chemical and process industries
- Hotel & hospital • Municipal Sewage and drainage applications
- Rain water Dewatering

REAL INDUSTRIES

(+91) 99982 86760, 99044 30375 ✉ realindustries2012@yahoo.com, info@indoforcepump.in 🌐 www.indoforcepump.in

B-30, Saundarya Industrial Park, Nr. Mizan Motor Waybridge, Gatral - Bakrol Road, Bakrol Bujarang, AHMEDABAD-382 430 (INDIA)